



FISCHER CORE SERIES

BRASS

ANY SIZE
ANY CONFIGURATION
ANY APPLICATION

1 TO 55
CONTACTS

- Wide range of housing types and contact block variants
- Original standard push-pull locking system
- Up to IP68 sealing (liquid tight)
- Hermetic versions available (gas tight, vacuum tight)
- Resistant to autoclave sterilization
- 10,000 mating cycles



fischer[®]
CONNECTORS

Part of Conexivity Group

FISCHER CORE SERIES **BRASS**

With more than 20,000 standard circular connectors and highly customizable contact configurations, the Fischer Core Series offers an extremely versatile variety of high-performance push-pull connectors.

ANY CONFIGURATION

MIXED POWER & DATA LOW VOLTAGE



- 4 electrical contacts 14 A (1.6 mm)
- 12 electrical contacts 1 A (0.7 mm)



- 2 electrical contacts 12.5 A (1.3 mm)
- 13 electrical contacts 1 A (0.5 mm)

FLUIDS, POWER & DATA



- 1 single fluidic insert (1.4 mm)
- 8 electrical contacts 4.9 A (0.9 mm) compliant with Ethernet 5 Gbit/s data transmission (IEEE 802.3bz-2016, type 5GBASE-T)

MIXED COAX, MIXED HIGH VOLTAGE



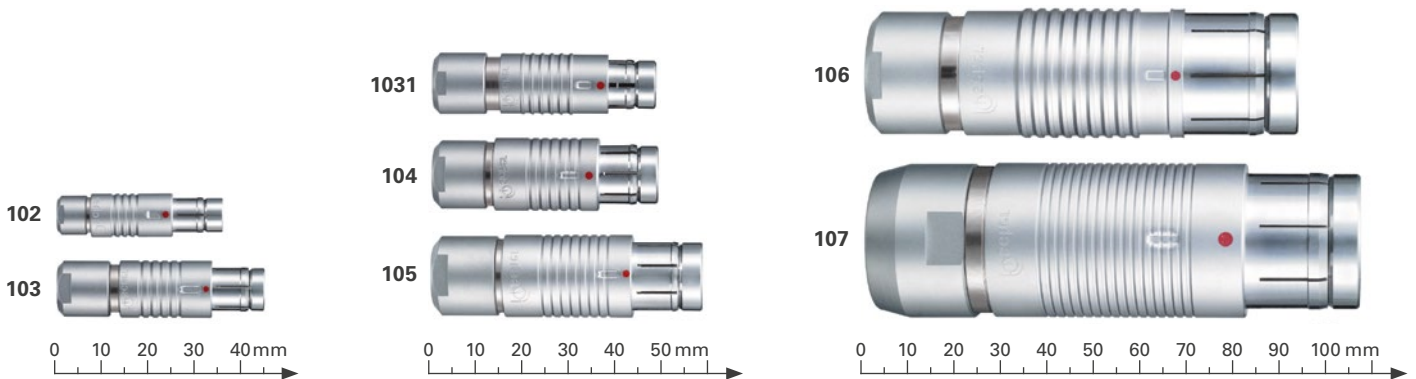
- 1 single coax 4 A (0.7 mm)
- 9 electrical contacts 6 A (0.9 mm)



- 2 HV electrical contacts 16 A (2.0 mm)
- 6 electrical contacts 9 A (1.3 mm)

ANY SIZE

Additional sizes available. Ask your sales representative for details.



ANY APPLICATION



Medical

MicroAire's PAL (Power-Assisted Liposuction) System utilizes a motorized cannula that gently vibrates back and forth to loosen fat tissue to be suctioned. It features Fischer Core low-voltage connectors with a mixed configuration of 12 contacts (3 power, 9 data) and a 12-foot silicone overmolded cable assembly resisting autoclave.



Instrumentation | Test & measurement

The helium and hydrogen sniffer leak detector from Pfeiffer Vacuum stands for high sensitivity (10^{-7} mbar l/s), accuracy and repeatability in industrial applications such as refrigeration, air conditioning and e-mobility. It features two Fischer Core hybrid connectors with 8 electrical contacts and 1 fluidic tube resisting high mating cycles.



Industrial | Nuclear

The European Organization for Nuclear Research (CERN) trusts Fischer Connectors to interconnect measurement tools, vacuum pumps and chambers for monitoring and safety devices. The Fischer Core Series Brass is particularly suited where electromagnetic interferences must be avoided and where temperatures can have extreme variations.

Download the dedicated [Technical Specifications](https://www.fischerconnectors.com/download-center)
[fischerconnectors.com/download-center](https://www.fischerconnectors.com/download-center)