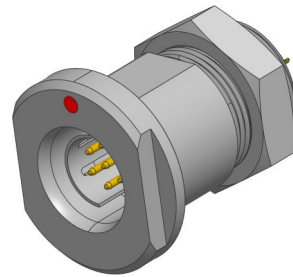
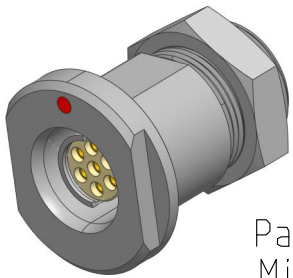


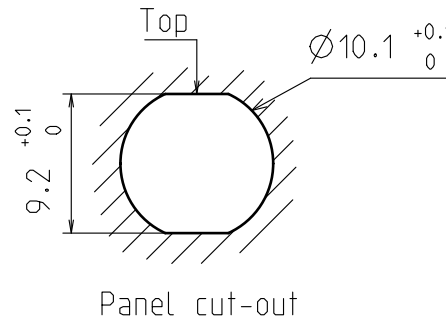
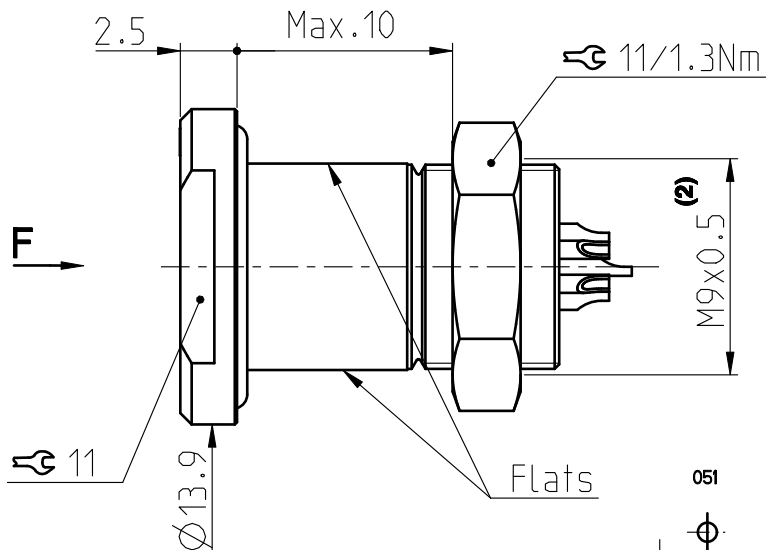
DEE/DEU 102 Multipole Receptacles

Contact polarity A

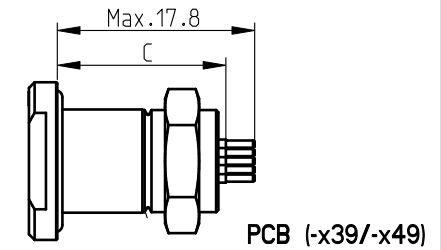
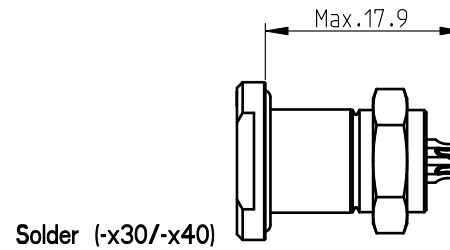
Contact polarity Z



Panel:
Min.8
Max.10



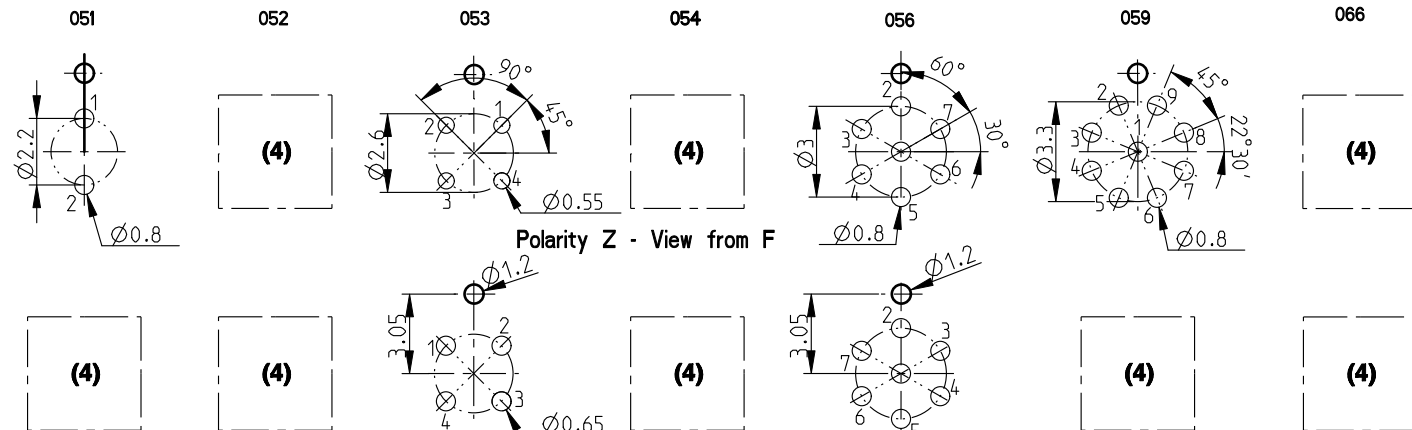
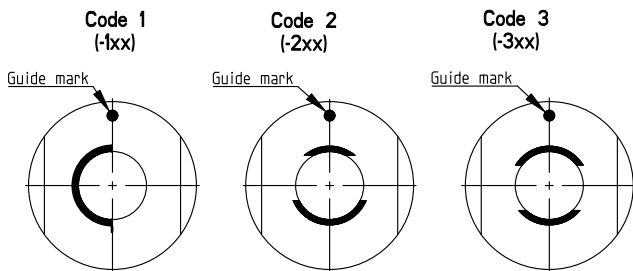
All dimensions see note 1)



CONTACT CONFIGURATION	Contacts	Solder cup \varnothing	C	PIN \varnothing
102 A Z 051	2	0.79	15.3	0.63
102 A Z 052	3	0.79	-	-
102 A Z 053	4	0.79	15.4 15.3	0.40 0.50
102 A Z 054	5	0.79	-	-
102 A Z 056	7	0.43	14.8 15.1	0.63
102 A Z 059	9	0.43	14.8	0.63
102 A Z 066	2	0.88	-	-

Pin layout / PCB hole pattern for polarity A - View from F (3)

Keying codes (View from F)



All dimensions in mm

Rev. Pages

Notes :

- 1) All tolerances resulting from connector assembly are typically $\pm 0.3\text{mm}$
- 2) If receptacle is screwed directly into threaded hole, oversize thread by $+0.05\text{mm}$

3) Recommended PCB hole dimensions may be adjusted to application

4) Please contact us

Part number example : DEE 102 A056-130

600550

2

1/1

fischer
CONNECTORS

www.fischerconnectors.com