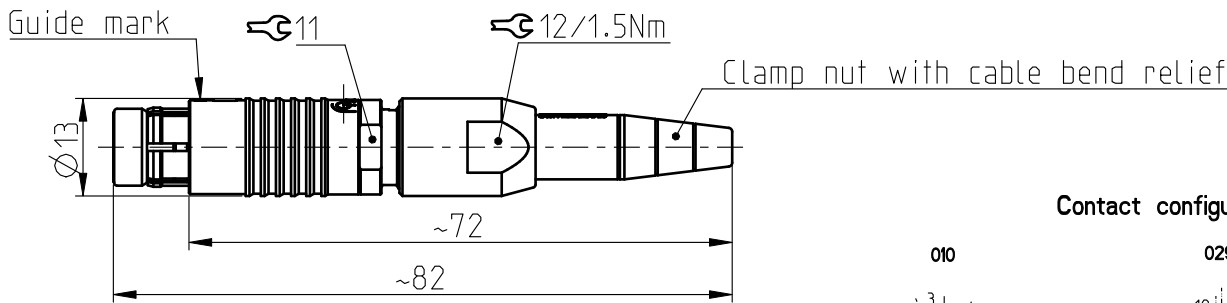
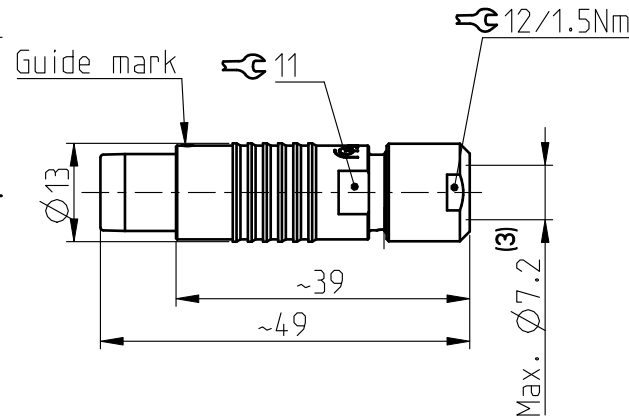
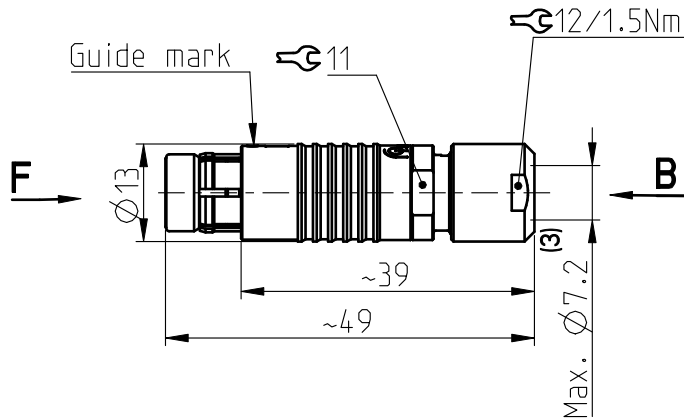


# S/SC/SOV 1031 Multipole Plugs

All dimensions see note 1)

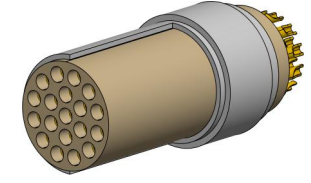
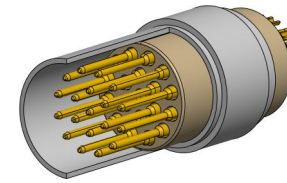
S/SC

SOV



Contact polarity A

Contact polarity Z



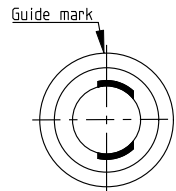
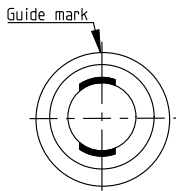
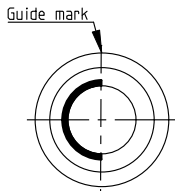
CONTACT CONFIGURATION	Contacts	Solder cup $\Phi$	Crimp cup $\Phi$ <sup>(2)</sup>
1031 A Z 010	10	0.79	0.60
1031 A Z 029	12	0.79	-
1031 A Z 012	12	0.79	0.60
1031 A Z 015	15	0.43/1.18	-
1031 A Z 019	19	0.43	0.43

Keying codes (View from F)

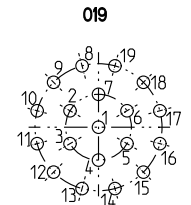
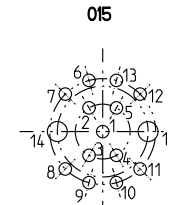
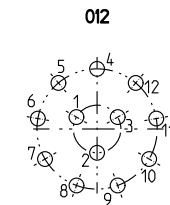
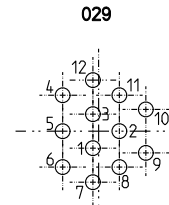
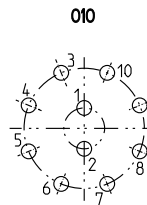
Code 1 (-1xx)

Code 2 (-2xx)

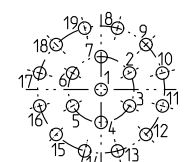
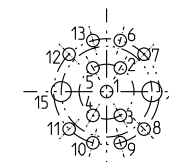
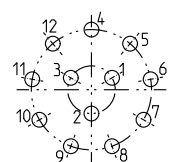
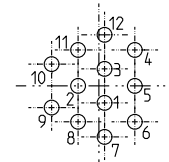
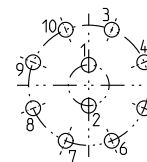
Code 3 (-3xx)



Contact configuration for polarity A (View from B)



Contact configuration for polarity Z (View from B)



All dimensions in mm

Rev.

Pages

Notes :

- 1) All tolerances resulting from connector assembly are typically  $\pm 0.3\text{mm}$
- 2) For optimum crimping refer to available crimping manual.
- 3) Max cable diameter with unsealed clamp set.  
Max  $\Phi 6.7\text{mm}$  with sealed clamp set.

Part number example : S 1031 A019-130+

600486

2

1/1

**fischer**  
CONNECTORS

www.fischerconnectors.com