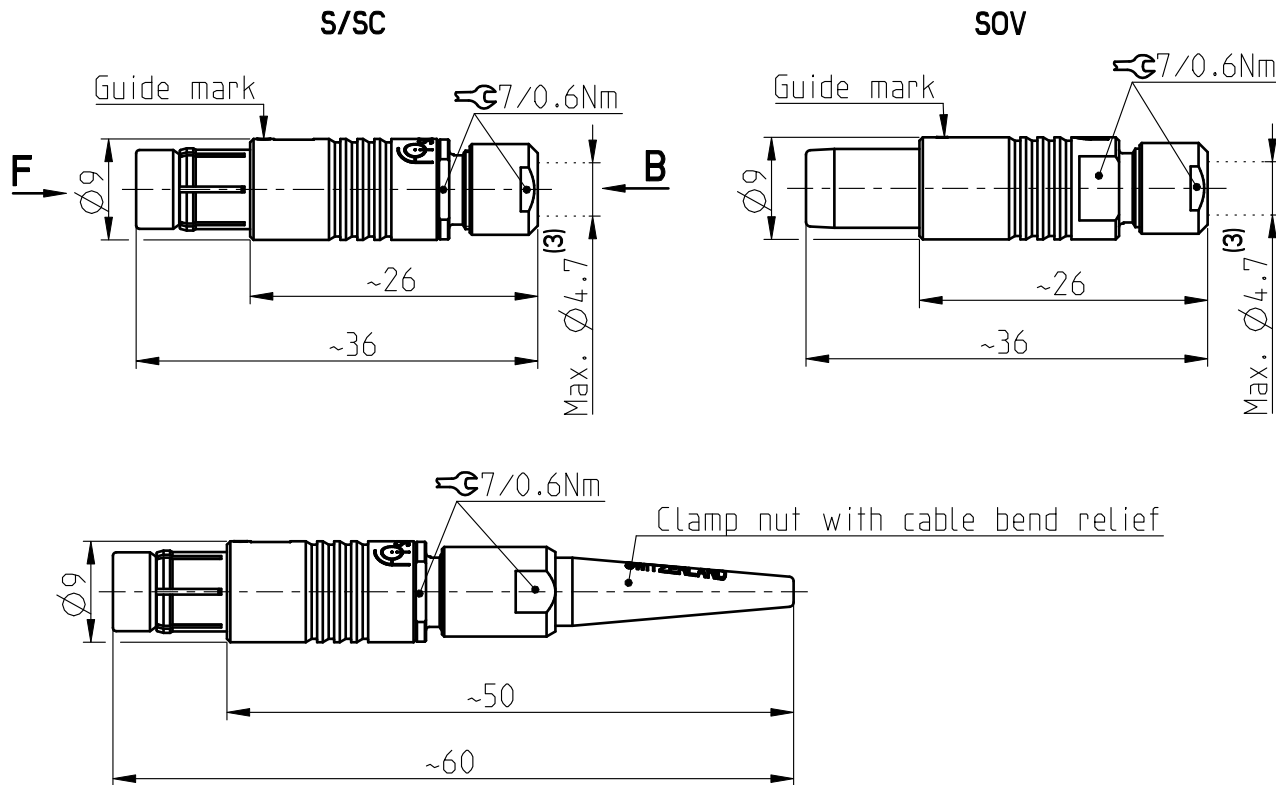


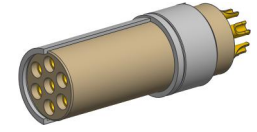
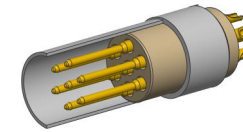
S/SC/SOV 102 Multipole Plugs

All dimensions see note 1)



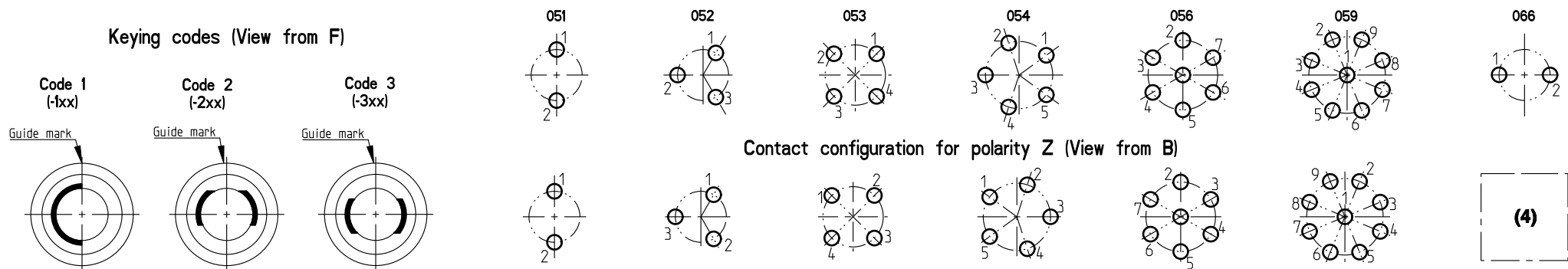
Contact polarity A

Contact polarity Z



CONTACT CONFIGURATION	Contacts	Solder cup ϕ	Crimp cup ϕ ⁽²⁾
102 A Z 051	2	0.79	0.80
102 A Z 052	3	0.79	-
102 A Z 053	4	0.79	0.60
102 A Z 054	5	0.79	0.60
102 A Z 056	7	0.43	0.43
102 A Z 059	9	0.43	-
102 A Z 066	2	0.88	-

Contact configuration for polarity A (View from B)



All dimensions in mm

Rev.

Pages

Notes :

- 1) All tolerances resulting from connector assembly are typically $\pm 0.3 \text{ mm}$
- 2) For optimum crimping refer to available crimping manual.
- 3) Max cable diameter with unsealed clamp set. Max $\phi 4.3 \text{ mm}$ with sealed clamp set.

4) Please contact us

Part number example : S 102 A056-130+

600471

2

1/1

fischer
CONNECTORS

www.fischerconnectors.com