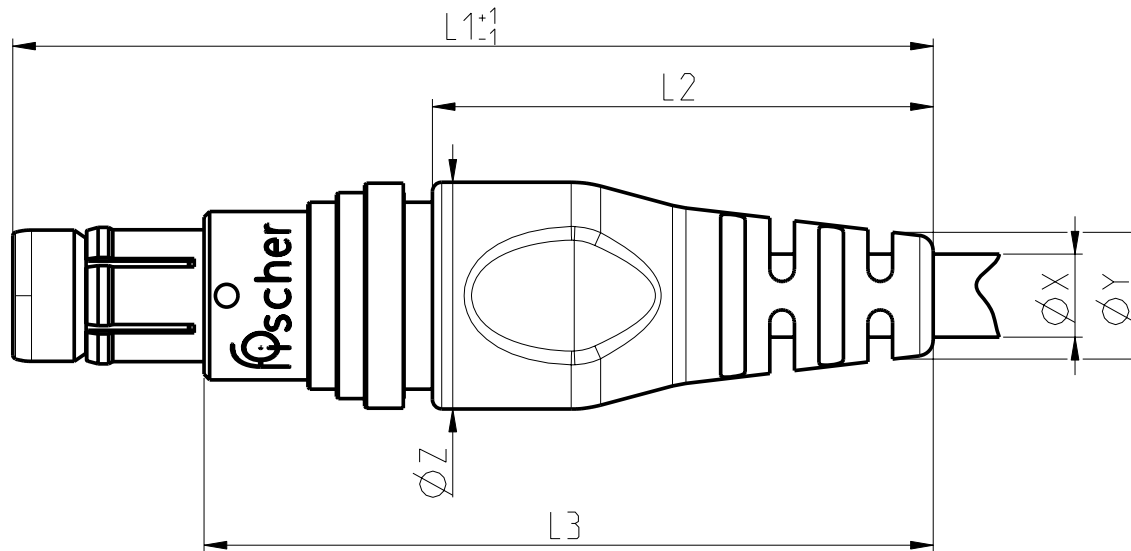


OVERMOLDING SS-KS-KSE

SS WITH STRAIGHT OVERMOLDING



SIZE	ϕX	ϕY	ϕZ	L1	L2	L3
102	2.0...3.8	6.5	12.0	48.7	26.5	~39
	>3.8...5.1	7.6				
103	2.0...6.0	8.7	15.0	54.5	30.0	~44
	>6.0...7.7	10.3				
1031	2.0...6.2	9.1	15.5	55.3	31.7	~45
	>6.2...7.7	10.5				
104	2.0...8.0	10.7	18.0	62.1	34.3	~50
	>8.0...9.7	12.3				
105	2.0...10.0	13.3	21.2	70.0	38.0	~55



All dimensions in mm

Rev.

Pages

Notes :

1) General tolerances: $\pm 0.5\text{mm}$

600566

1

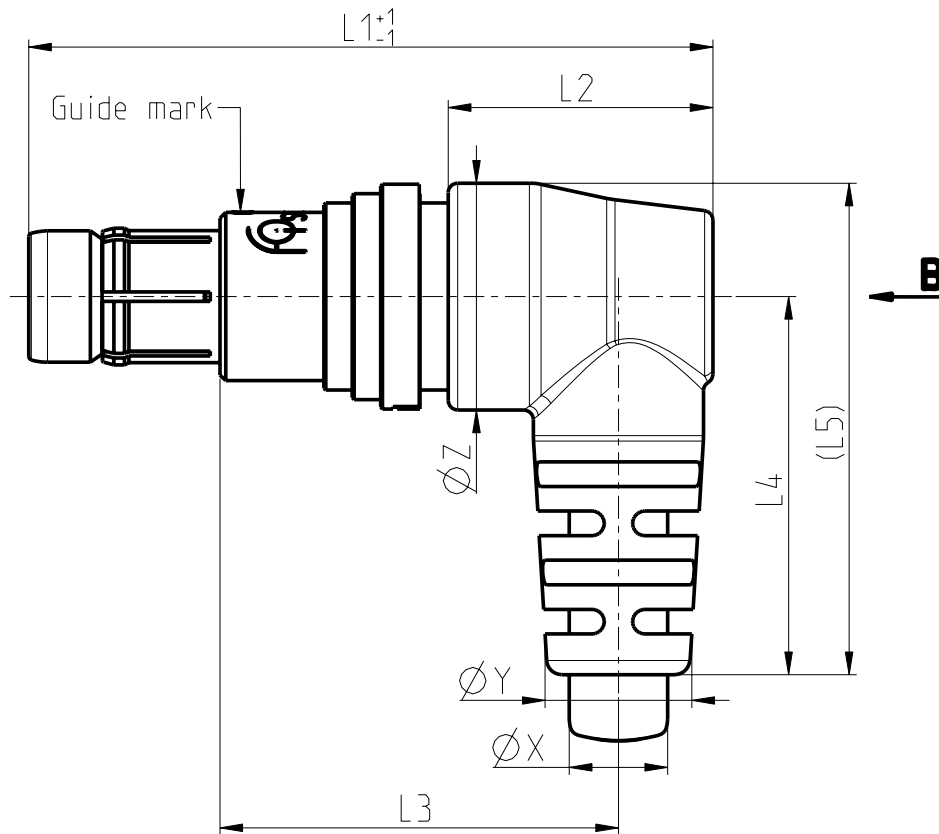
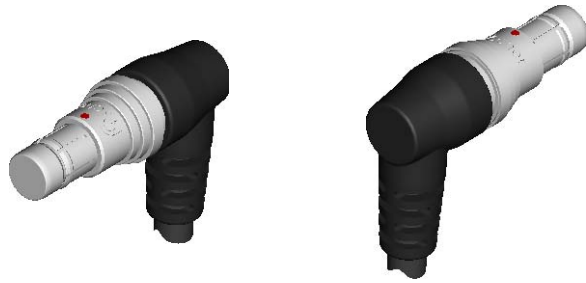
1/3

fischer
CONNECTORS

www.fischerconnectors.com

OVERMOLDING SS-KS-KSE

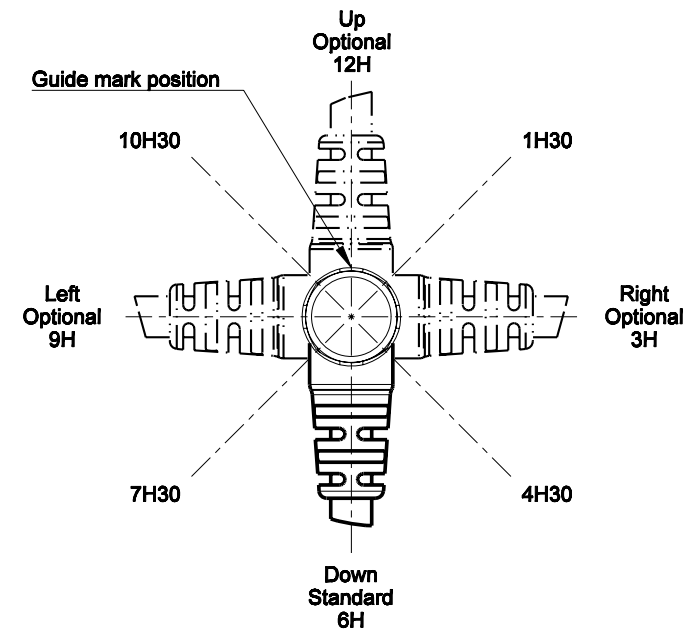
SS WITH RIGHT ANGLE OVERMOLDING



SIZE	ØX	ØY	ØZ	L1	L2	L3	L4	L5
102	2.0...3.8	6.5	12.0	36.2	14.0	~21	20.0	26.0
	>3.8...4.8	7.1						
103	2.0...6.0	8.6	15.0	41.0	16.5	~23	24.0	31.5
	>6.0...6.8	10.2						
1031	2.0...6.2	8.9	15.5	Max.46	Max.22	Max.36	24.0	31.8
	>6.2...6.8	10.5						
104	2.0...8.0	10.3	18.0	Max.52	Max.25	Max.32	30.0	39.0
	>8.0...8.8	12.2						
105	2.0...10.0	13.3	21.2	Max.60	Max.28	Max.36	30.0	40.6

Cable Orientation ⁽²⁾

(View from B)



All dimensions in mm

Rev. Pages

Notes :
 1) General tolerances: $\pm 0.5\text{mm}$
 2) Can be positionned in 45° increments

600566

1

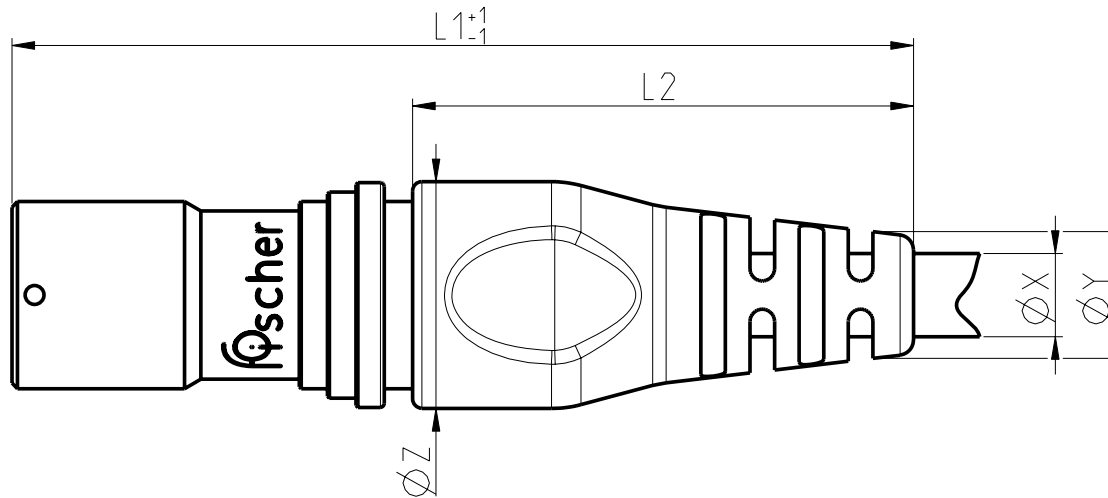
2/3

OVERMOLDING SS-KS-KSE

KS/KSE WITH STRAIGHT OVERMOLDING



SIZE	ϕX	ϕY	ϕZ	L1	L2
102	2.0...3.8	6.5	12.0	47.7	26.5
	>3.8...5.1	7.6			
103	2.0...6.0	8.7	15.0	52.6	30.0
	>6.0...7.7	10.3			
1031	2.0...6.2	9.1	15.5	53.8	31.7
	>6.2...7.7	10.5			
104	2.0...8.0	10.7	18.0	59.6	34.3
	>8.0...9.7	12.3			
105	2.0...10.0	13.3	21.2	69.0	38.0



All dimensions in mm

Rev. Pages

Notes :
1) General tolerances: $\pm 0.5\text{mm}$

600566

1

3/3



www.fischerconnectors.com