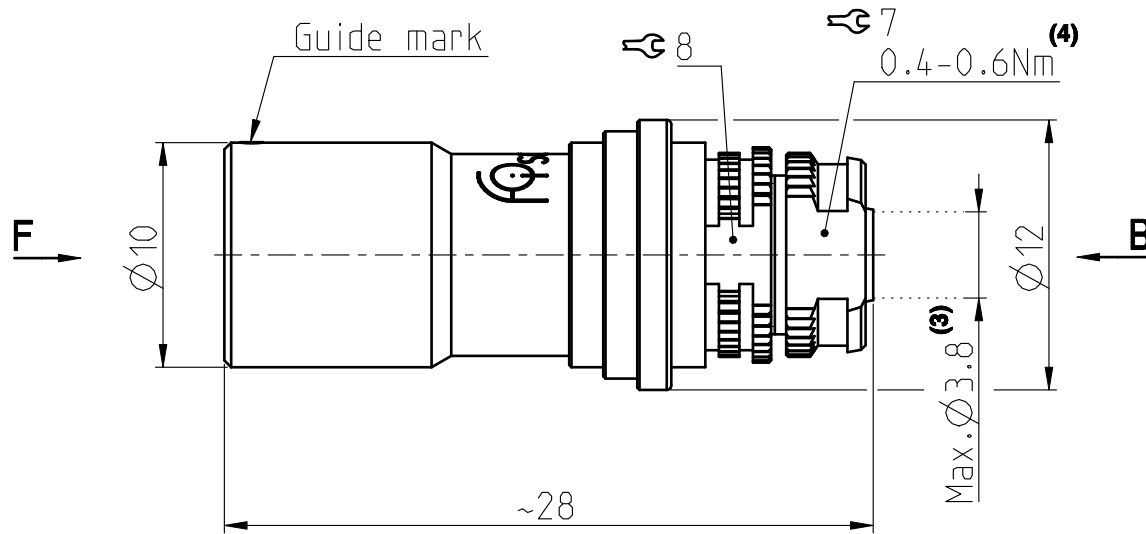
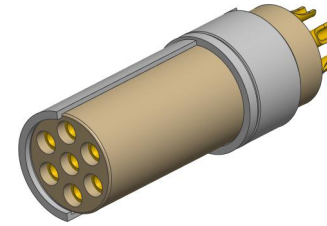


# KS/KSE 102 Multipole Cable Mounted Receptacles

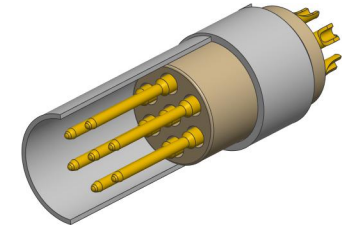
All dimensions see note 1)



Contact polarity A

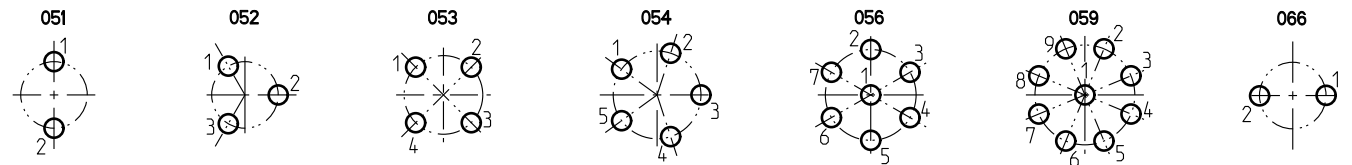


Contact polarity Z

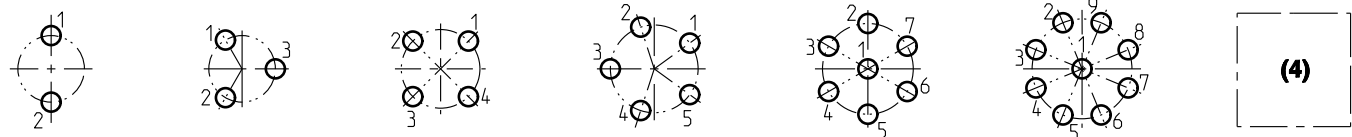


CONTACT CONFIGURATION			Contacts	Solder cup $\varnothing$	Crimp cup $\varnothing$ (2)
102	A Z	051	2	0.79	-
102	A Z	052	3	0.79	-
102	A Z	053	4	0.79	0.60
102	A Z	054	5	0.79	0.60
102	A Z	056	7	0.43	0.43
102	A Z	059	9	0.43	-
102	A Z	066	2	0.88	-

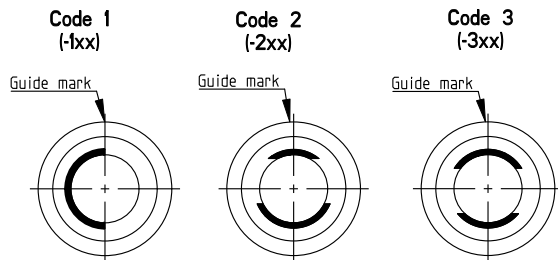
Contact configuration for polarity A (View from B)



Contact configuration for polarity Z (View from B)



Keying codes (View from F)



All dimensions in mm

600518

Rev.

3

Pages

1/1

Notes :

- 1) All tolerances resulting from connector assembly are typically  $\pm 0.3\text{mm}$
  - 2) For optimum crimping refer to available crimping manual.
  - 3) Max cable diameter below shield
- Part number example : KSE 102 A056-130

4) This torque is a recommended value that may be influenced by the characteristics of the cable. Tests have to be made to evaluate the exact value. To secure the back nut, we recommend the use of thread locking adhesive.

**fischer**  
CONNECTORS

www.fischerconnectors.com